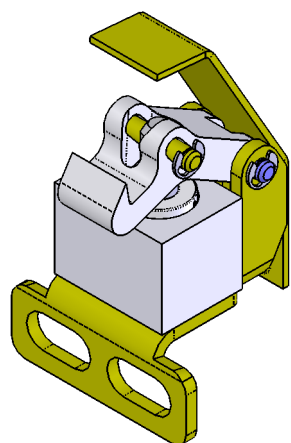
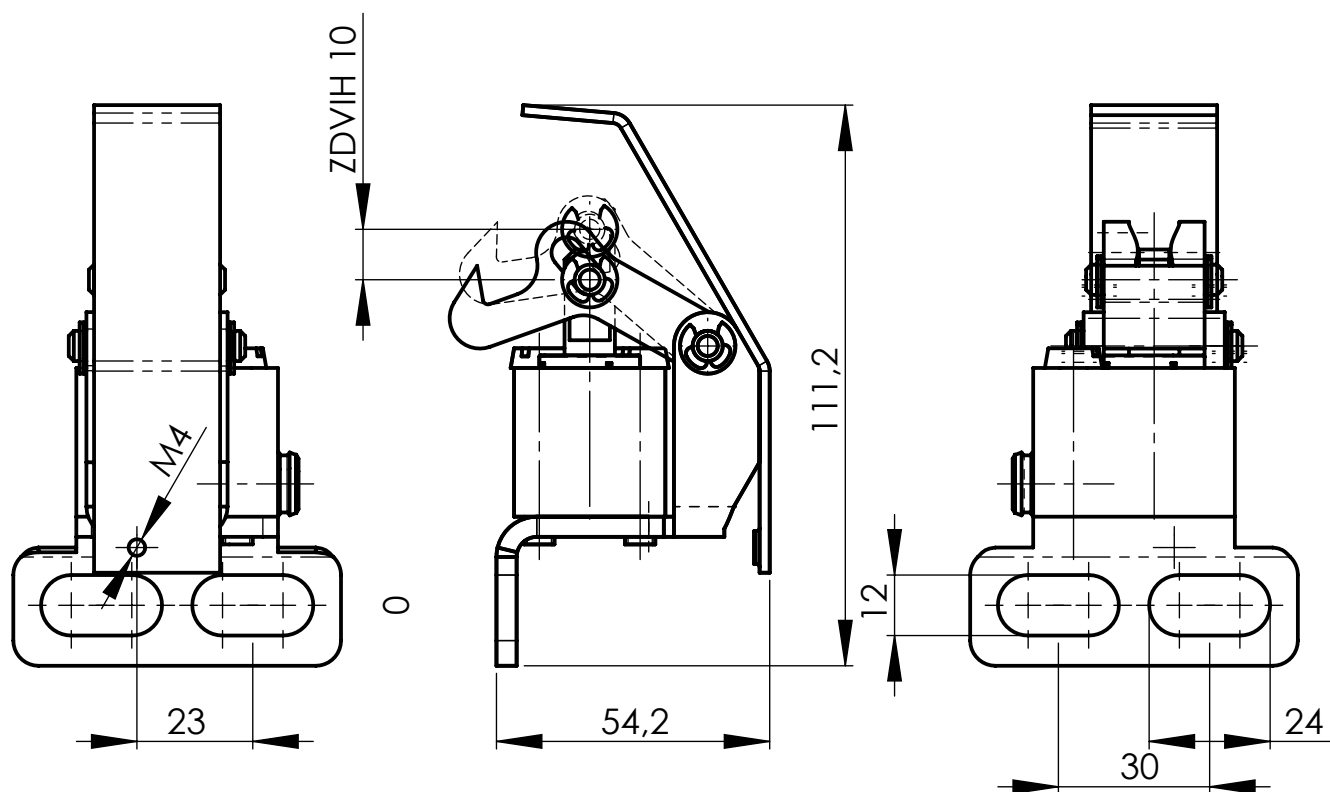
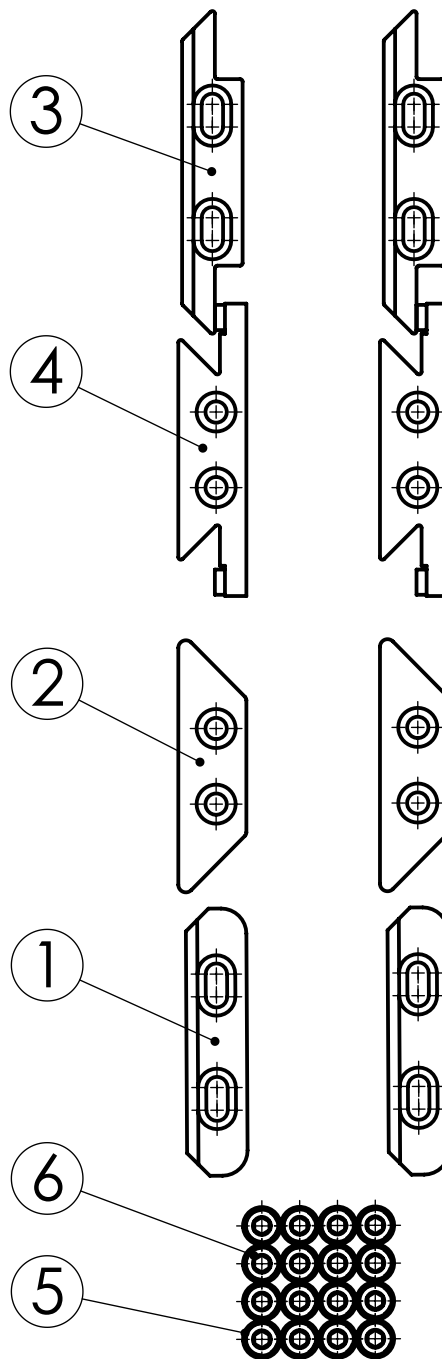
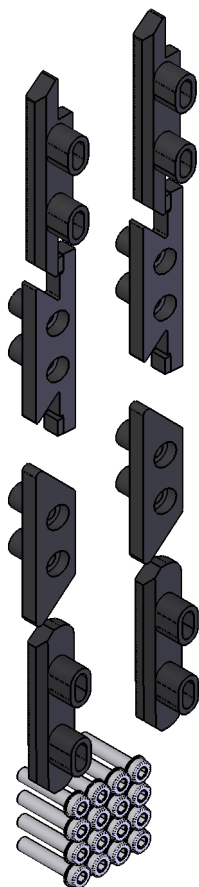


Type:	Door lock ZAM2 L
Function:	Securing the door leaf during travel by means of pressure air
Design:	Single-acting linear pneumatic motor with return spring, lever and holder
Connection:	Al alloys, stainless steel, zinc-plated steel grade 11, zincplated wire, plastics, oil resistant rubber
Connection:	2 screws M10 through holes in the holder, thread M4 for cover fastening
Medium connection:	Plastic tube 6/4
Pneumatic motor stroke:	10 mm
Pneumatic motor diam.:	20 mm

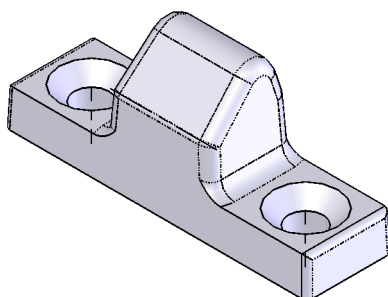
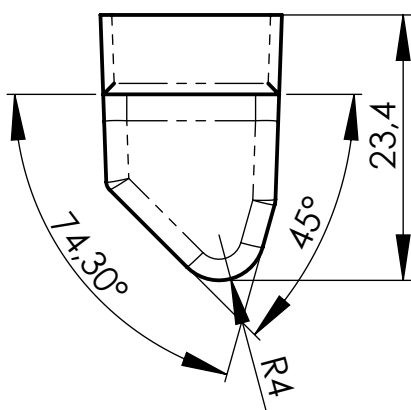
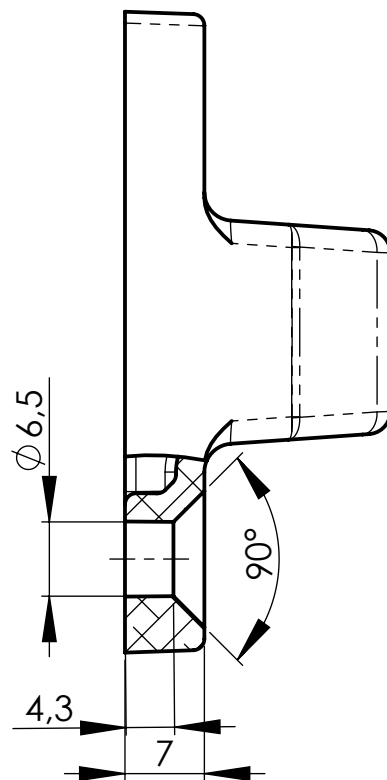
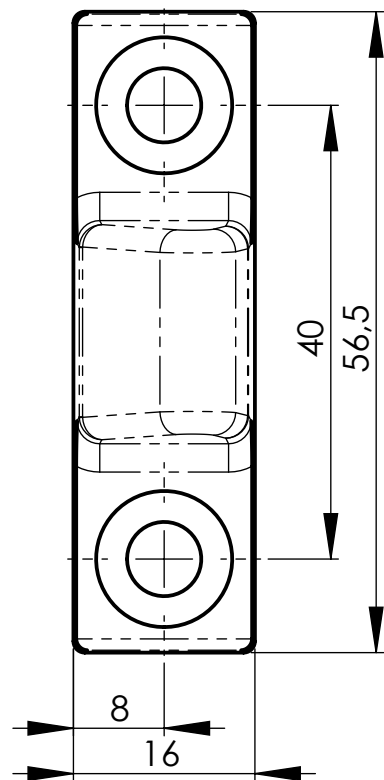


Type:	Door lock ZAM2 R
Function:	Securing the door leaf during travel by means of pressure air
Design:	Single-acting linear pneumatic motor with return spring, lever and holder
Connection:	Al alloys, stainless steel, zinc-plated steel grade 11, zincplated wire, plastics, oil resistant rubber
Connection:	2 screws M10 through holes in the holder, thread M4 for cover fastening
Medium connection:	Plastic tube 6/4
Pneumatic motor stroke:	10 mm
Pneumatic motor diam.:	20 mm

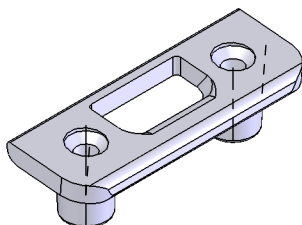
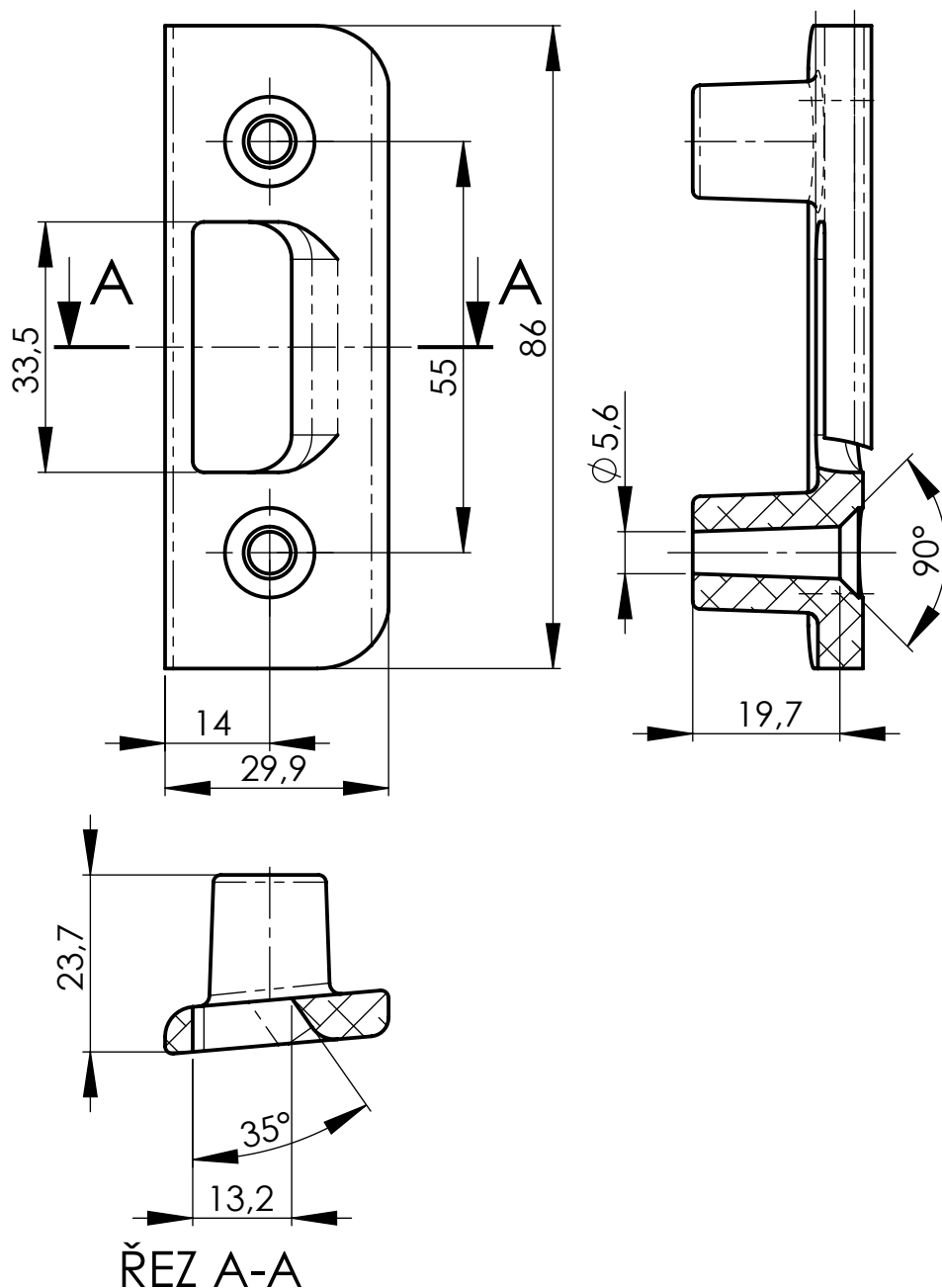
Pos.	Ord. Nr.	Name	Pcs.
1	23411593	WEDGE 1	2
2	23411598	WEDGE 2	2
3	23411590	WEDGE 3	2
4	23411591	WEDGE 4	2
5	002-232-0080	WASHER 8	16
6	025-000-0840	SCREW M8x40	16



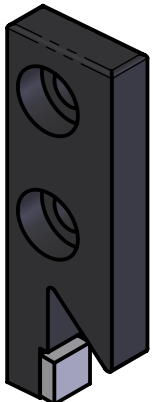
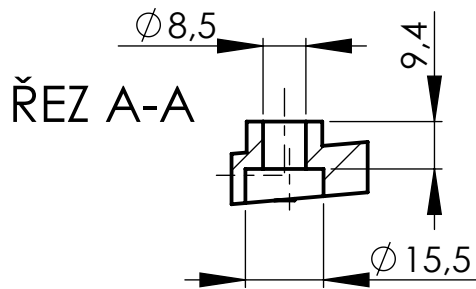
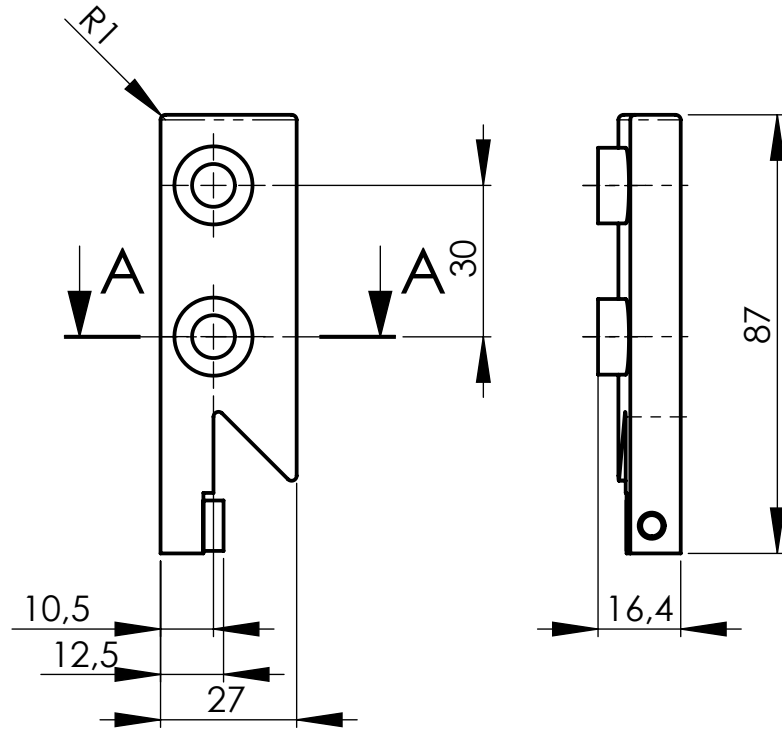
Type:	Set wedges
Function:	Securing the door leaf during travel by means of their shape (used in couple). Optimal combination of wedges. Screws for fastening.
Design:	Casting
Materials:	Cast iron, Zn alloy
Environment temperature:	-40°C to +60°C



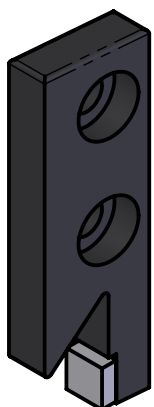
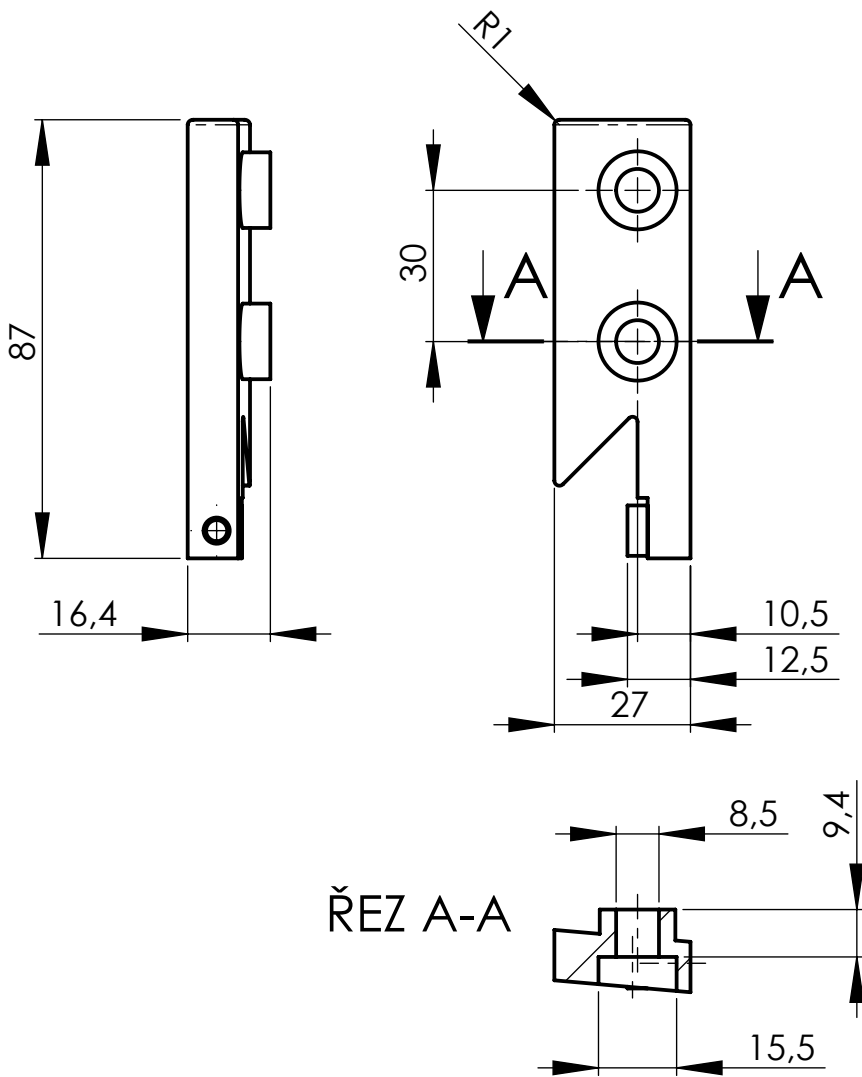
Type:	Leaf wedge
Function:	Securing the door leaf during travel by means of shape (used in couple with Upper wedge 3_6_3_6)
Materials	Zinc alloy
Connection:	2x screw M6 through the wedge body
Working position:	Horizontal (on the upper edge of the door leaf)



Type:	Upper wedge
Function:	Securing the door leaf during travel by means of shape (used in couple with Leaf wedge 3_6_3_5)
Materials	Zinc alloy
Connection:	2x screw M5 through the wedge body
Working position:	Horizontal (on the upper edge of the door frame)



V] ^ K	Y ^ a ^ A
Ø } & c ě } K	Ú & i a * Á @ Š [] Á & a š i a * Á & a Á ^ Á ^ a ě • Á - Á @ ^ Ā Ā & i a Ā [] Á & a & Y ^ a ^ A H Z Ā Ā Ā H D
T æ ě ě • K	Ô æ óš [}
Ô [] ^ & c ě } K	G Á & ^ , • Á ĩ Á @ Ľ * @ @ Á ^ a ^ A š [a ^
Y [Ľ a * Á [• š ě] K	X Ľ i c æ ě



V []] ^K	Y ^a* ^A
Ø } &č } K	Ù ^& iā * Á @ Á [i Á a Á iā * Á a ^ Á ^ Á ^ a } Á - Á @ ^ Ç • ^ a Á & [] ^ Á a ^ Á ^ Á H A H í ' H HD
T aē i ā • K	Ô aē á [}
Ô [} ^ &č } K	G Á & ^ , • Á i Á @ ~ * @ @ Á ^ a * ^ Á [a ^
Y [i ā * Á [• ā] K	X ^ i c aē