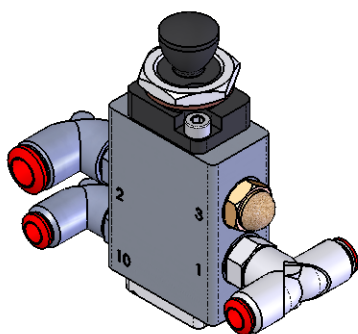
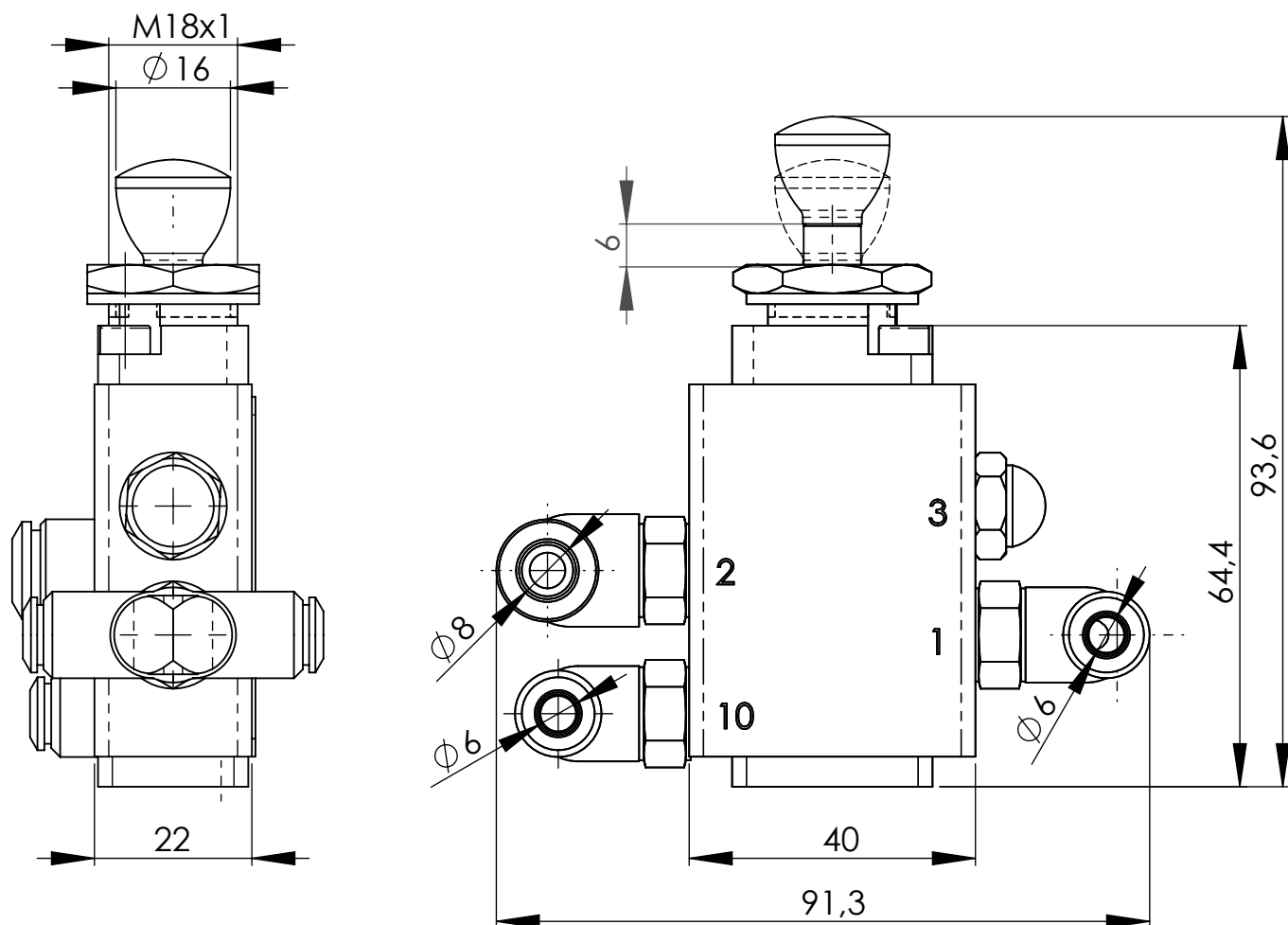
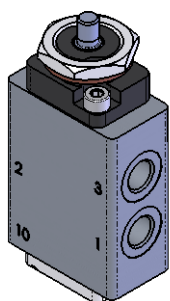
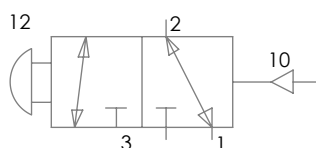
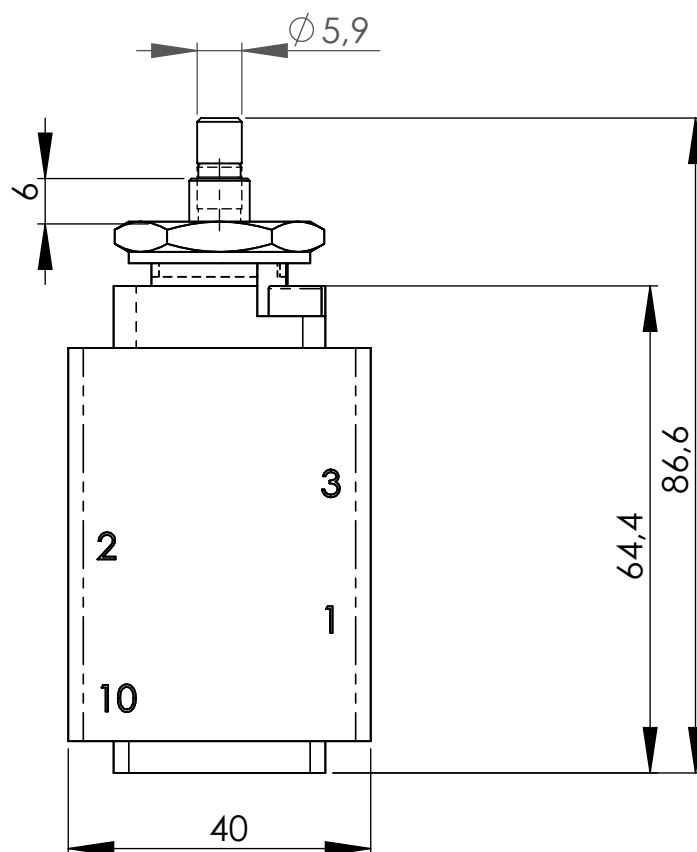
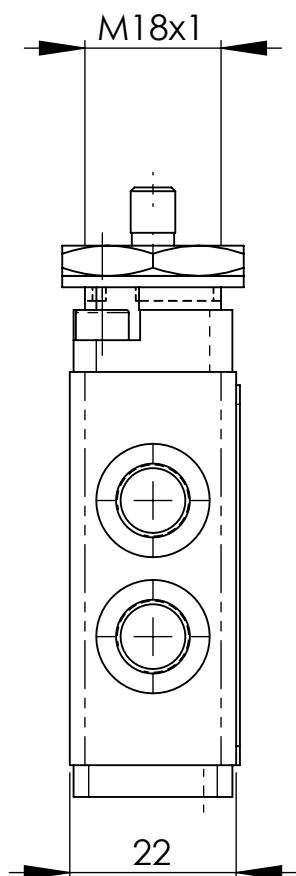


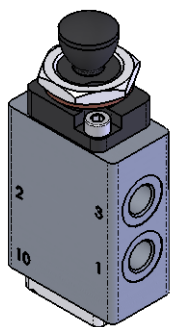
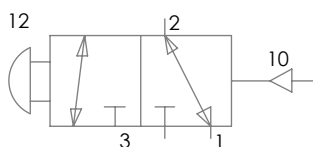
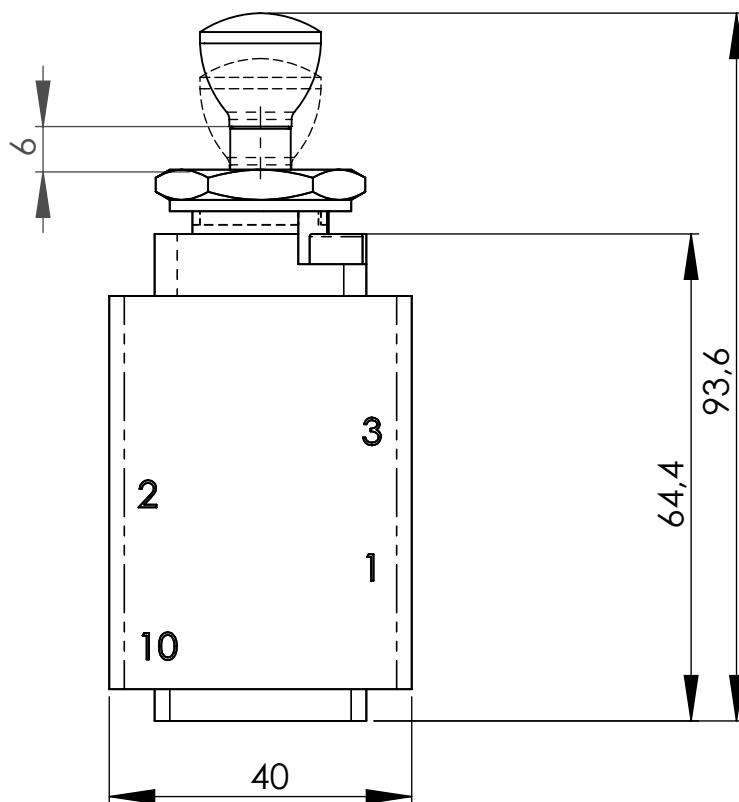
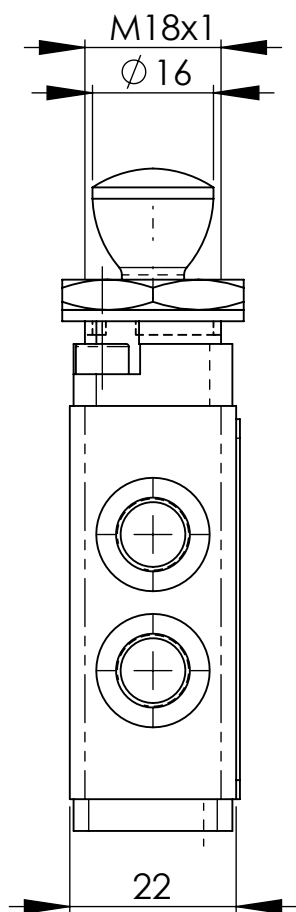
Type:	Valve B9356 3/2 - 1/8 I
Function:	Air reversed valve. Used for emergency opening in combination with a control block.
Design:	Cylindrical gate
Materials:	Al alloy, brass, steel, plastics, oil resistant rubber, grease.
Connection:	Thread M18x1 with nut for connection to sheet metal
Medium connection:	Tubes 8/6, 6/4



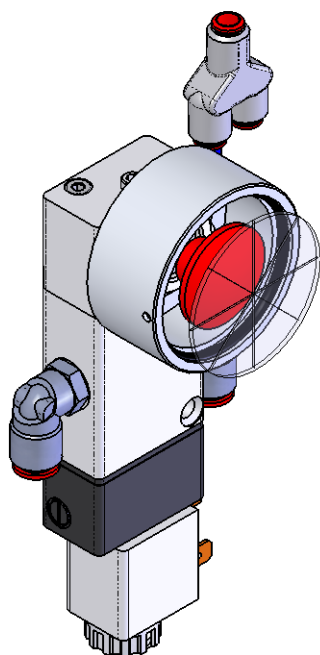
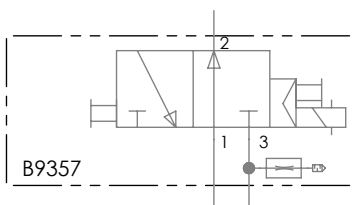
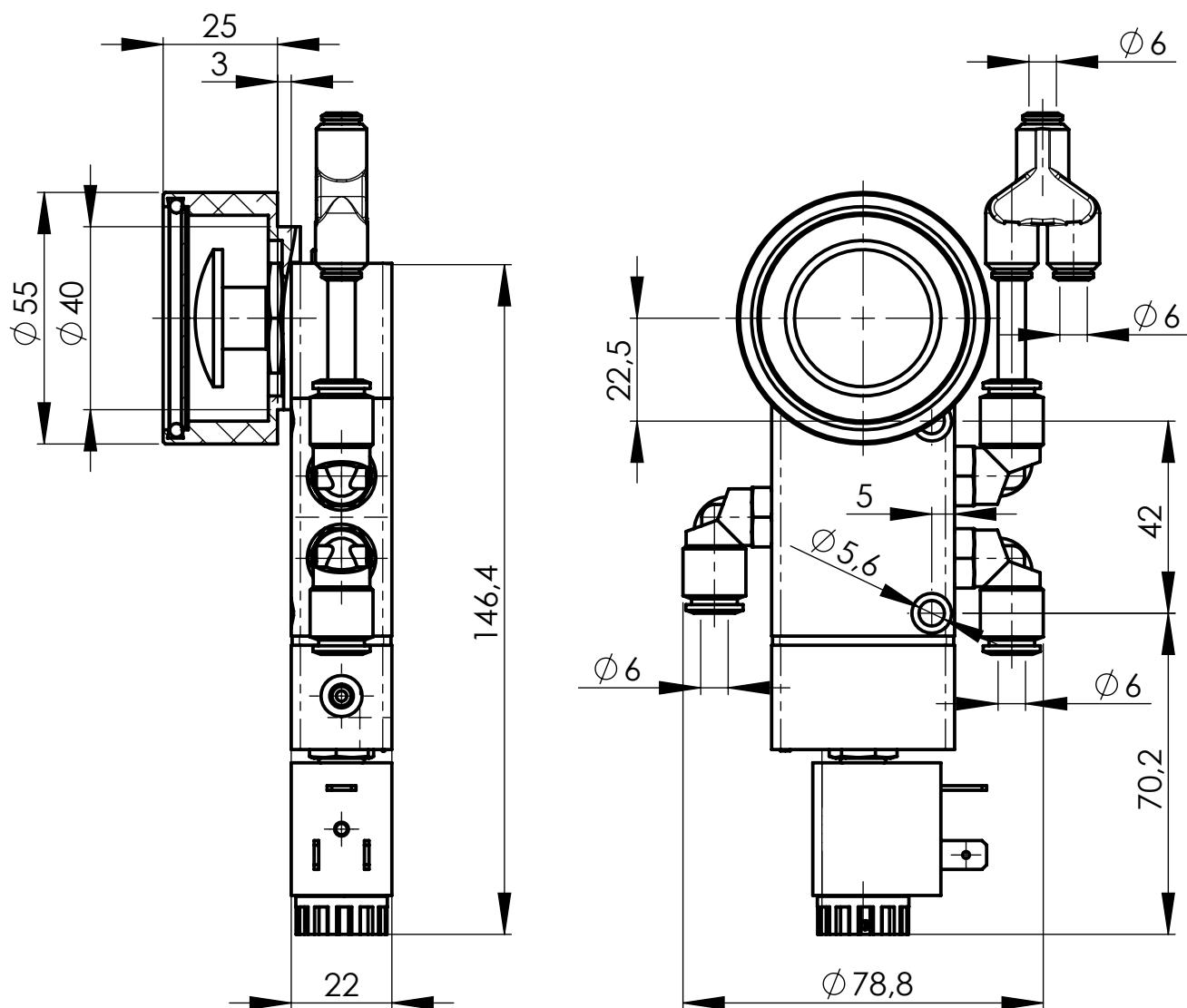
Type:	Valve B9356 3/2 - 1/8 E
Function:	Air reversed valve. Used for emergency opening in combination with a control block.
Design:	Cylindrical slide
Materials:	Al alloy, brass, steel, plastics, oil resistant rubber, grease.
Connection:	Thread M18x1 with nut for connection to sheet metal
Medium connection:	Tubes 8/6, 6/4



Type:	Valve B9356 3/2 - 1/8
Function:	Air reversed valve. Used for emergency opening in combination with a control block.
Design:	Cylindrical gate
Materials:	Al alloy, brass, steel, plastics, oil resistant rubber, grease.
Connection:	Thread M18x1 with nut for connection to sheet metal
Medium connection:	Internal thread g1/8"



Type:	Valve B9356 3/2 - 1/8 E
Function:	Air reversed valve. Used for emergency opening in combination with a control block.
Design:	Cylindrical slide
Materials:	Al alloy, brass, steel, plastics, oil resistant rubber, grease.
Connection:	Thread M18x1 with nut for connection to sheet metal
Medium connection:	Internal thread G1/8"



Type:	Valve B9357 3/2 - 1/8 with covering
Function:	Push-button operated valve. Reversed by electrical signal. Used for emergency opening in combination with a control block.
Design:	Cylindrical gate
Materials:	Al alloy, brass, steel, plastics, oil resistant rubber, grease.
Connection:	Thread M18x1 with nut for connection to sheet metal
Medium connection:	Tubes 6/4

